

LED white projectors changing shades of white with sensor



CODE: CHANGE Sensor BIANCO

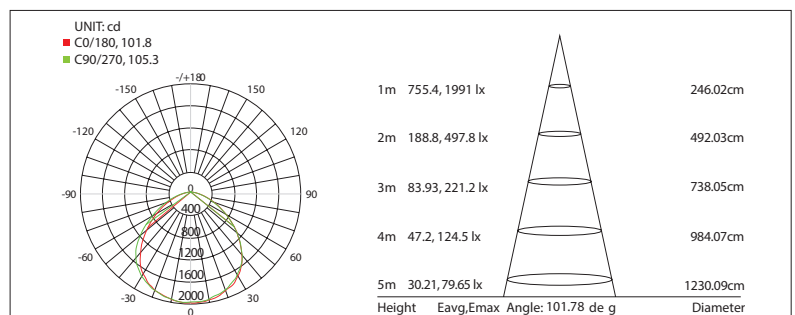
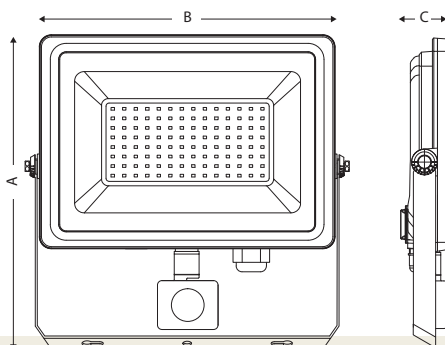
- Symmetrical optics
- Equipped with selector for color temperature change: 3,000 - 4,000 - 5,700 ° K
- Equipped with passive infrared detector
- Die-cast aluminum body, anti-scratch finish, white color, excellent corrosion resistance
- High efficiency reflector, maximizes light output
- Anti-glare tempered glass
- Wall fixing bracket, 360 ° adjustable
- Operating voltage: 220V - 260V - 50Hz
- Power supply compartment on board
- Color rendering: >80
- LED luminous efficiency: 110 lm / W
- Power factor: >0,9
- Led operating life: L80B10
- Average life: 40.000 hours
- Detection angle: 100 °
- Detection distance: 8-10m
- Interval time adjustment: 10 sec. - 8 min.
- Twilight setting: 5-500 lux
- The sensor head can be rotated 180 °
- Operating temperature: -25 ° C +45 ° C
- IP44, for outdoor use
- Shockproof IK08
- Driver with DOB technology

IP44 CRI 80

Technical data

Article	Dimensions	Body color	Total consumption	Color	Luminous flux	Angle of diffusion	Weight
WXCS10	164 x 134 x 42 mm	white	10W	3000-4000-5700°K	1.100 lm	120°	0,382 kg
WXCS20	190 x 166 x 45 mm	white	20W	3000-4000-5700°K	2.200 lm	120°	0,547 kg
WXCS30	223 x 206 x 46 mm	white	30W	3000-4000-5700°K	3.300 lm	120°	0,802 kg
WXCS50	248 x 234 x 47 mm	white	50W	3000-4000-5700°K	5.500 lm	120°	1,027 kg

Data sheets



Appliance for outdoor

