



Asymmetrical LED spot light

CODE: FOBOS 70W

VERY HIGH LUMINOUS EFFICIENCY 130 LM/W

- Body in black power-coated die-cast aluminium, good corrosion resistance
- LED: LUMILEDS 3030
- Asymmetric beam angle 65° x 120°
- Anti-glare reflector, high-efficiency, maximises light output
- Tempered glass
- Mounting bracket with stainless steel screws

IP65 CRI 80

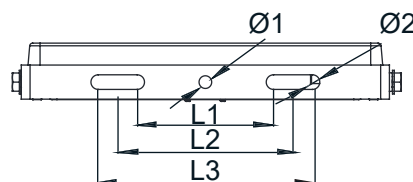
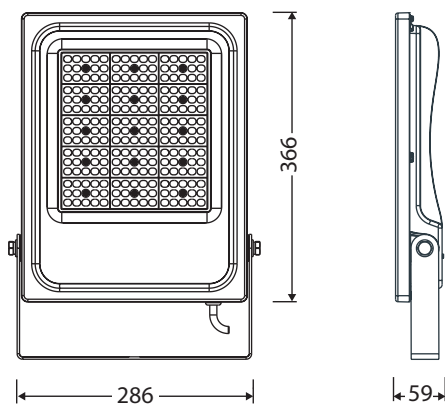
Features

- Operating voltage: 100V - 277V
- Frequency: 50Hz - 60HZ
- Waterproof driver Meanwell
- Colour rendering: >80
- LED luminous efficiency: 130 lm/W
- Power factor: >0.95
- Average life: 50,000 hours
- Led operating life: L70B10 @ 152.000 hours
- Operating temperature: - 20°C +50°C
- Protection degree: IP65, for outdoor use
- Shock proof: IK08
- With rubber power cord H05RN-F 3 x 1mm² L=30 cm, with IP65 waterproof connector (item FLAC1)

Technical data

Article	Dimensions	Body color	Total consumption	Color	Luminous flux	Angle of diffusion	Weight
FO7040	286x366x59 mm	black	70 W	day light 4.000°K	9.100 lm	65°x120°	4,40 kg
FO7057	286x366x59 mm	black	70 W	cool white 5.700°K	9.500 lm	65°x120°	4,40 kg

Data sheets



L1	L2	L3	Ø1	Ø2
143.5	180.0	216.5	13	13

dimensioni in mm



Appliance for outdoor

