

Electrical appliance switch

CODE: 8750.34.00

Cristal double pole switch
in compliance with CEE 24 regulations for appliance in II Class
rated current 16 A 250 V; max temperature 125° C

silver contacts

black thermoplastic body

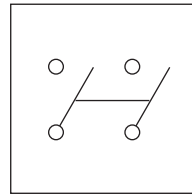
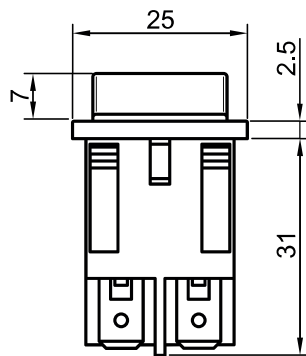
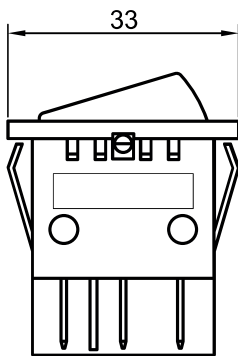
white thermoplastic material rocker

snap in fixing on panels 0,7 - 2,5 mm thick

male fast-on (solder terminals on demand)



Data sheets



Built-in appliance

